

HydroPulse®



Electrically Actuated Hydraulic Nozzles For Intermittent Spray

EHP - Food Grade Design

EHPI - Industrial Design



EHP



EHPI

DESIGN FEATURES

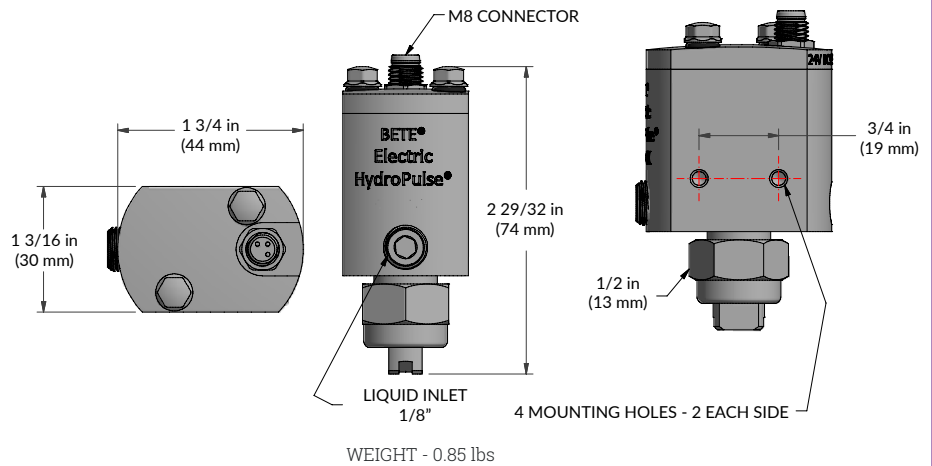
- Interchangeable spray tips
- Electrically actuated for crisp on/off spray
- Mounting brackets available
- EHP features straight through porting for in-series set-up
- High cycle rates enable digital flow control at constant pressure when paired with FlexFlow controller

SPRAY CHARACTERISTICS

- Precision volume sprays directly on the target
- Reduced waste and minimal overspray maintain a clean, safe environment
- Uniform and repeatable coverage improves product consistency

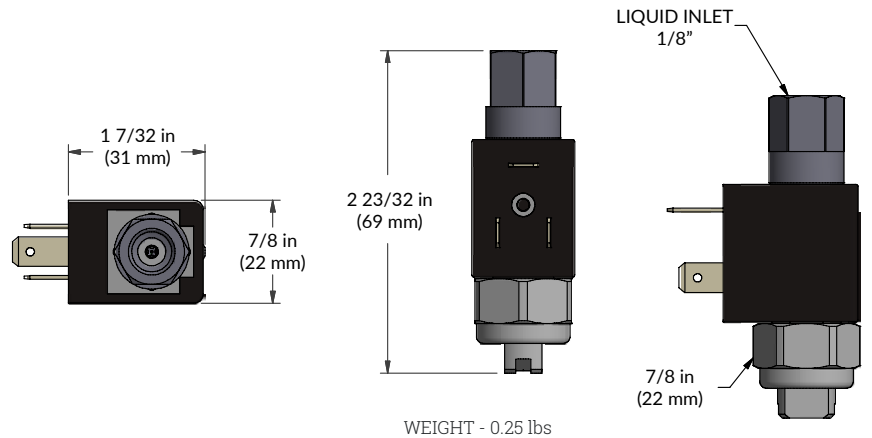
EHP

Liquid Inlet Connection: 1/8" NPT or BSPP, 1/2" Tri-Clamp
Max Liquid Flow Rate: 1.0 GPM
Max Rate Pressure: 250 psi
Thermal Insulation Class: F(311°F)
Power: 9.4W@24VDC
Electrical Connector: M8 3-pin
Max Cycle Frequency: 150 cycles/sec
Material: Stainless steel wetted components, Food grade Viton®(FKM) seals, hygienic design



EHPI

Liquid Inlet Connection: 1/8", NPT or BSPP
Max Liquid Flow Rate: 1.0 GPM
Max Rate Pressure: 300 psi
Thermal Insulation Class: F(311°F)
Power: 10.4W@24VDC
Electrical Connector: DIN 11mm
Max Cycle Frequency: 50 cycles/sec
Material: Stainless steel wetted components, Viton®(FKM) seals



AUTOMATIC

HydroPulse®



EHP/EHPI

BJH FLAT FAN FLOW RATES & DIMENSIONS

Materials: Tungsten Carbide Insert with 303 Stainless Steel Housing



Nozzle Number	Flow Rate (GPM) @ Differential Pressure (psi)						Available Spray Angles
	40	60	80	100	150	200	
	psi	psi	psi	psi	psi	psi	
BJH-0.18				0.012	0.015	0.017	5° to 120°
BJH-0.28				0.03	0.037	0.042	
BJH-0.38				0.055	0.067	0.078	
BJH-0.45	0.048	0.059	0.068	0.076	0.093	0.11	
BJH-0.53	0.072	0.08	0.092	0.10	0.13	0.15	
BJH-0.66	0.094	0.12	0.14	0.16	0.20	0.23	
BJH-0.78	0.14	0.17	0.20	0.22	0.27	0.32	
BJH-0.89	0.17	0.22	0.26	0.29	0.36	0.41	
BJH-0.99	0.21	0.27	0.31	0.35	0.43	0.50	
BJH-1.14	0.23	0.35	0.41	0.45	0.55	0.63	
BJH-1.29	0.28	0.43	0.49	0.55	0.66	0.76	
BJH-1.45	0.30	0.51	0.58	0.64	0.77	0.88	
BJH-1.60	0.35	0.56	0.64	0.71	0.86	0.98	

Flow Rate (GPM) = $K\sqrt{\text{PSI}}$

*Maximum flows shown above. Flow rates can be turned down to 5% of listed value using PWM (Pulse Width Modulation).

BJ FLAT FAN FLOW RATES & DIMENSIONS

Materials: Standard Materials 303 and 316 Stainless Steel



Nozzle Number	Flow Rate (GPM) @ Differential Pressure (psi)								Available Spray Angles
	10	20	40	60	80	100	150	200	
	psi	psi	psi	psi	psi	psi	psi	psi	
*BJ0067	0.033	0.047	0.066	0.081	0.094	0.11	0.13	0.15	Up to 120°
BJ01	0.048	0.069	0.098	0.12	0.14	0.16	0.19	0.22	
BJ015	0.072	0.10	0.15	0.18	0.21	0.23	0.29	0.33	
BJ02	0.094	0.13	0.19	0.23	0.27	0.30	0.37	0.43	
BJ03	0.14	0.19	0.28	0.34	0.39	0.44	0.54	0.62	
BJ04	0.17	0.25	0.35	0.42	0.49	0.55	0.67	0.77	
BJ05	0.21	0.29	0.41	0.50	0.57	0.64	0.78	0.89	
BJ06	0.23	0.33	0.45	0.55	0.63	0.71	0.86	0.98	

Flow Rate (GPM) = $K\sqrt{\text{PSI}}$

CW FULL CONE FLOW RATES & DIMENSIONS

Materials: Tungsten Carbide Insert with 303 Stainless Steel Housing



Nozzle Number	Flow Rate (GPM) @ Differential Pressure (psi)								Available Spray Angles
	10	20	40	60	80	100	150	200	
	psi	psi	psi	psi	psi	psi	psi	psi	
CW-25F	0.12	0.17	0.24	0.29	0.33	0.37	0.44	0.51	80° and 120°
CW-50F	0.21	0.30	0.41	0.50	0.57	0.63	0.76	0.87	
CW-75F	0.27	0.38	0.52	0.62	0.71	0.78	0.94		
CW-100F	0.31	0.42	0.57	0.68	0.77	0.85	1.0		
CW-25H	0.12	0.17	0.24	0.29	0.33	0.37	0.44	0.51	
CW-50H	0.21	0.30	0.41	0.50	0.57	0.63	0.76	0.87	
CW-75H	0.27	0.38	0.52	0.62	0.71	0.78	0.94		
CW-100H	0.31	0.42	0.57	0.68	0.77	0.85	1.0		

Flow Rate (GPM) = $K\sqrt{\text{PSI}}$

*Full cone/hollow cone patterns suitable for continuous operation only. Not recommended for use with PWM control.

AUTOMATIC