



Stationary



DESIGN FEATURES

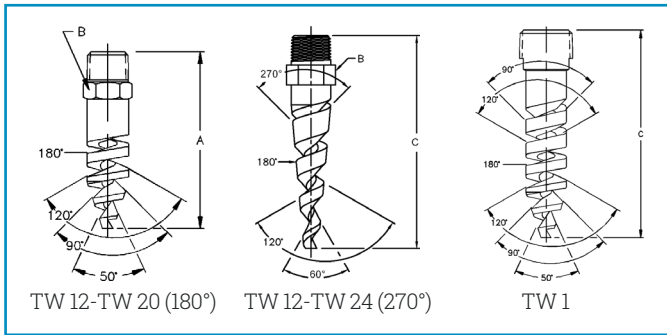
- Clog-resistant spiral design
- Energy efficient
- Compact design; fits small openings

SPRAY CHARACTERISTICS

- Easy to maintain
- Unique patterns that spray in opposing directions

Spray Angles: 180°, 270°

Flow Rates: 11 to 260 l/min



DIMENSIONS IN MILLIMETERS

Pipe Size	A 180°	B	C 270°	Wt. (grams)
3/8"	73.0	17.5	92.1	49.6
1/2"		22.2	108	11
1"		28.7	146	298

TW FLOW RATES

Materials: Brass, 316 Stainless Steel

Male Connection Type	Nozzle Number	Available Spray Angles	K Factor	Flow Rate (L/min) @ Differential Pressure (bar)						Approx. Orifice Dia	Approx. Free Pass Dia	Scrubbing Dia	Rinsing Dia
				0.7	1	2	3	4	5				
				bar	bar	bar	bar	bar	bar				
3/8" NPT/BSP	TW-12	180° 270°	13.7	11.4	13.7	19.3	23.7	27.3	30.6	4.83	3.30	0.3	0.9
	TW-14	180° 270°	18.5	15.4	18.5	26.1	32.0	36.9	41.3	5.59	3.30	0.3	1
	TW-16	180° 270°	24.2	20.2	24.2	34.2	41.8	48.3	54.0	6.35	3.30	0.6	1
	TW-20	180° 270°	37.6	31.5	37.6	53.2	65.1	75.2	84.1	7.87	3.30	0.9	2
1/2" NPT/BSP	TW-24	270°	54.9	46.0	54.9	77.7	95.1	110	123	10.4	4.32	1	3
1" NPT/BSP	TW-1	270°	116	97.2	116	164	201	232	260	14.2	5.08	2	6

Flow Rate (GPM) = $K\sqrt{PSI}$

Spray angle performance varies with pressure. Contact BETE for specific data on critical applications.