

EZ_{TF WL}

EZ Change Quick Connection System

DESIGN FEATURES

- Nozzles can be changed in seconds without tools
- Three part nozzle, base, gasket and interchangeable tip
- Exclusive ramped engagement for efficient, automatic alignment
- Threaded adapters will accommodate other standard BETE nozzles. Shut-off plugs are also available
- Sanitary EZs are available with weld connection and no knurling

SPRAY CHARACTERISTICS

- Available in six standard tips: EZTF; EZWL; EZWT; EZFF; EZNF; EZSPN

More EZ tips:

Hollow Cone: page 54 and 55
Flat Fan: pages 72 and 73

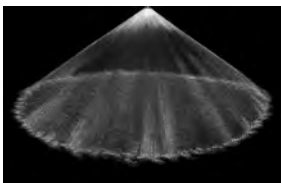
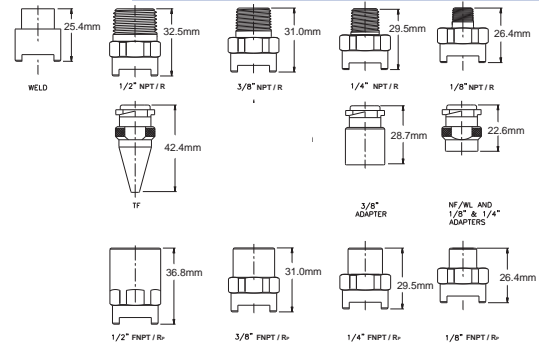
Flow rates: 0.13 to 206 l/min

Spray Angle:

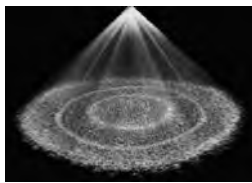
- EZTF:** 60°, 90°, 120°, 150°, and 170°
- EZWL:** 30°, 60°, 90°, 120°



EZTF



120° Full Cone



90° Full Cone Spiral

EZTF Flow Rates and Dimensions

Full Cone Spiral 60° (NN), 90° (FCN), 120° (FC), 150°, or 170° Spray Angle 1/8" to 1/2" BSP or NPT

Pipe Size	Nozzle Number	K Factor	LITERS PER MINUTE @ BAR												Approx. Orifice Dia. (mm)	Approx. Assembly Dim. (mm)		Wt. (g)	
			0.3 bar	0.5 bar	0.7 bar	1 bar	2 bar	3 bar	5 bar	7 bar	10 bar	15 bar	20 bar	30 bar		Hex	Length		
1/8"	EZTF6	3.19	1.75	2.26	2.67	3.19	4.51	5.53	7.13	8.44	10.1	12.4	14.3	17.5	2.38	1/8"	22.4	41.4	62
	TO EZTF8	5.93	3.25	4.19	4.96	5.93	8.38	10.3	13.2	15.7	18.7	22.9	26.5	32.5	3.18				
1/2"	EZTF10	9.12	4.99	6.45	7.63	9.12	12.9	15.8	20.4	24.1	28.8	35.3	40.8	49.9	3.97	1/4"	22.4	44.5	62
	TO EZTF12	13.7	7.49	9.7	11.4	13.7	19.3	23.7	30.6	36.2	43.2	53.0	61.1	74.9	4.76				
1/4"	EZTF14	18.5	10.1	13.1	15.4	18.5	26.1	32.0	41.3	48.8	58.4	71.5	82.6	101	5.56	3/8"	22.4	46.0	74
	TO EZTF16	24.2	13.2	17.1	20.2	24.2	34.2	41.8	54.0	63.9	76.4	93.6	108	132	6.35				
1/2"	EZTF20	37.6	20.6	26.6	31.5	37.6	53.2	65.1	84.1	99.5	119	146	168	206	7.94	1/2"	22.4	47.5	82

Flow Rate (l/min) = $K \sqrt{\text{bar}}$

Standard Materials: Brass; Viton gaskets standard. 316 Stainless Steel available upon request.

EZWL Flow Rates and Dimensions

Full Cone Whirl 30°, 60°, 90°, 120° Spray Angle 1/8" to 1/2" BSP or NPT

Pipe Size	Nozzle Number	K Factor	LITERS PER MINUTE @ BAR							Approx. Orifice Dia (mm)	Pipe Size	Approx. Assembly Dim. (mm)		Wt. (g)
			0.2 bar	0.5 bar	0.7 bar	1 bar	2 bar	3 bar	5 bar			Hex	Length	
1/8"	EZWL 1/4	0.587	0.276	0.424	0.497	0.587	0.814	0.984	1.25	1.09	1/8"	22.4	41.4	62
	EZWL 1/2	1.17	0.551	0.848	0.993	1.17	1.63	1.97	2.50	1.40				
	EZWL 3/4	1.76	0.827	1.27	1.49	1.76	2.44	2.95	3.75	1.83				
TO	EZWL1	2.35	1.10	1.70	1.99	2.35	3.25	3.94	5.01	2.08	1/4"	22.4	44.5	62
	EZWL 1 1/2	3.52	1.65	2.54	2.98	3.52	4.88	5.91	7.51	2.77				
1/2"	EZWL2	4.70	2.21	3.39	3.97	4.70	6.51	7.87	10.0	3.18	3/8"	22.4	46.0	74
	EZWL3	7.05	3.31	5.09	5.96	7.05	9.76	11.8	15.0	3.96				
	EZWL4	9.40	4.41	6.78	7.95	9.40	13.0	15.7	20.0	4.78				
	EZWL5	11.7	5.51	8.48	9.93	11.7	16.3	19.7	25.0	5.16				
	EZWL6	14.1	6.62	10.2	11.9	14.1	19.5	23.6	30.0	5.56				

Flow Rate (l/min) = $K (\text{bar})^{0.47}$

Note: Square pattern also available

Standard Materials: 303 Stainless Steel, 316 Stainless Steel, Brass; Viton gaskets standard.

TO ORDER: specify pipe size, connection type, nozzle number, spray angle, and material.