

CLUMP



Stationary



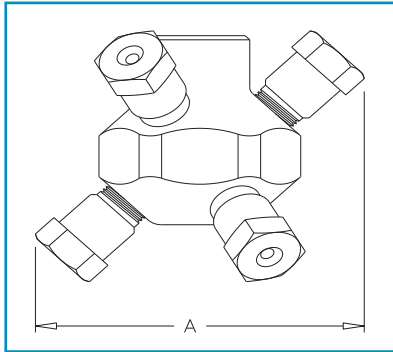
Metal

DESIGN FEATURES

- Each nozzle in the stationary manifold is a BETE clog-resistant full cone nozzle of the MaxiPass® series
- Can be supplied with various other BETE nozzles for any desired application
- Female connection

SPRAY CHARACTERISTICS

- Spherical omnidirectional coverage
 - Six nozzles arranged in cluster to project spray in all directions
- Spray Angles:** 360°
Flow Rates: 7.4 to 80.6 GPM



DIMENSIONS IN INCHES

Pipe Size	Overall Diameter A	Weight (oz)	
		Metal	Plastic
3/4"	4.75	36.3	4.8
1"	5.75	69.6	9.3

TANK CLEANING

CLUMP FLOW RATES

Materials: 316 Stainless Steel and Brass.

Female Connection Type	Nozzle Number	Spray Angles	K Factor	Flow Rate (GPM) @ Differential Pressure (psi)						Scrubbing Dia	Rinsing Dia	
				10	15	20	30	40	60			80
				psi	psi	psi	psi	psi	psi			psi
3/4" FNPT/BSP	CLUMP-125	360°	2.50	7.36	8.91	10.2	12.3	14.1	17.1	19.6	4	8
	CLUMP-156		3.96	11.7	14.2	16.2	19.6	22.4	27.1	31.1	4	12
	CLUMP-187		5.72	16.9	20.4	23.4	28.3	32.4	39.2	44.9	6	14
1" FNPT/BSP	CLUMP-187	360°	5.72	16.9	20.4	23.4	28.3	32.4	39.2	44.9	6	14
	CLUMP-218		9.10	26.9	32.5	37.2	45.0	51.5	62.3	71.4	8	14
	CLUMP-250		10.3	30.3	36.7	42.0	50.8	58.2	70.4	80.6	10	16

Flow Rate (GPM) = $K\sqrt{PSI}$

Spray angle performance varies with pressure. Contact BETE for specific data on critical applications.

For special flow rates contact BETE.

Other materials available on request.