

Spillback Lance Inquiry Sheet

Thank you for your inquiry for spillback lances. By taking a few minutes to fill out this sheet, you will allow us to recommend the most applicable configuration for your application in the shortest time. Please fill out the form as completely as possible. For variables that are not yet determined please indicate a range of acceptable values.

Contact Information:

Date:	Name:
Telephone:	Company:
Fax:	Address:
Email:	Job/Reference #:

Codes:

Design Code/Registration:	B31.3 <input type="checkbox"/>	B31.1 <input type="checkbox"/>	Other: _____
Vessel Design Pressure: _____		Vessel Design Temperature: _____	
Injector Design Pressure: _____		Injector Design Temperature: _____	
Corrosion Allowance: _____			
Other Specifications: _____			

Additional Testing/QC Requirements:

All NDE Requirements Invoked by the Requested Design Codes Will be Performed Automatically

NDE Type	Extent of NDE and on Which Components

Material Test Reports	<input type="checkbox"/> Yes <input type="checkbox"/> No	Weld Procedure Approval	<input type="checkbox"/> Yes <input type="checkbox"/> No
-----------------------	--	-------------------------	--

Spray Nozzle Selection:

What Liquid is Being Sprayed: _____	Specific Gravity/Density: _____	
Viscosity: _____	Injection Fluid Flow Rate: Min _____	
Available Nozzle Pressure Drop: _____	Injection Fluid Flow Rate: Max _____	
Nozzle Model (if known): _____	Nozzle Orientation*: _____	

*See Figure 2

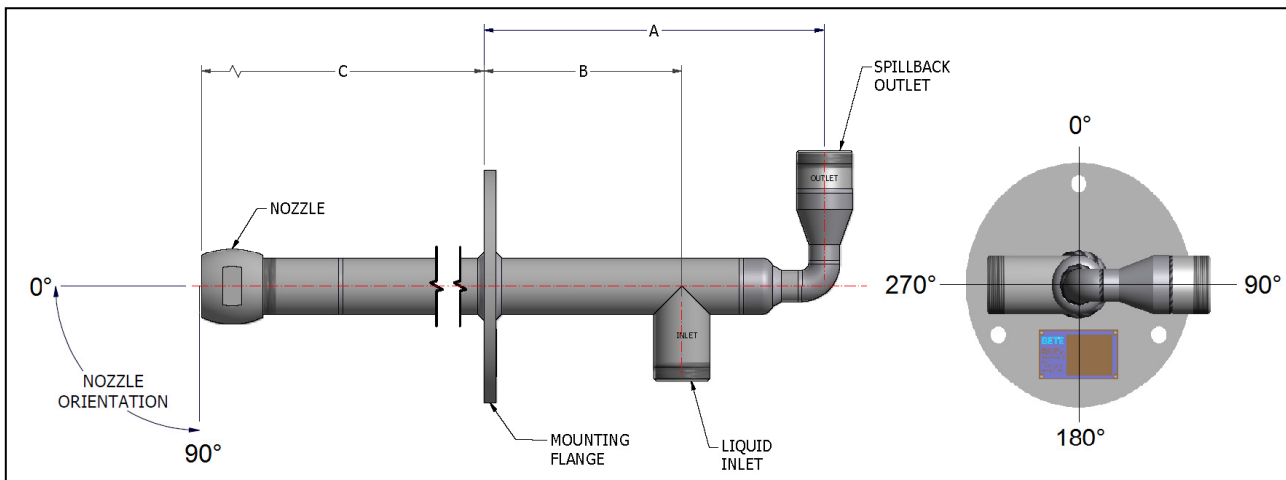


Figure 1: Basic Spillback Lance with Connection Orientations

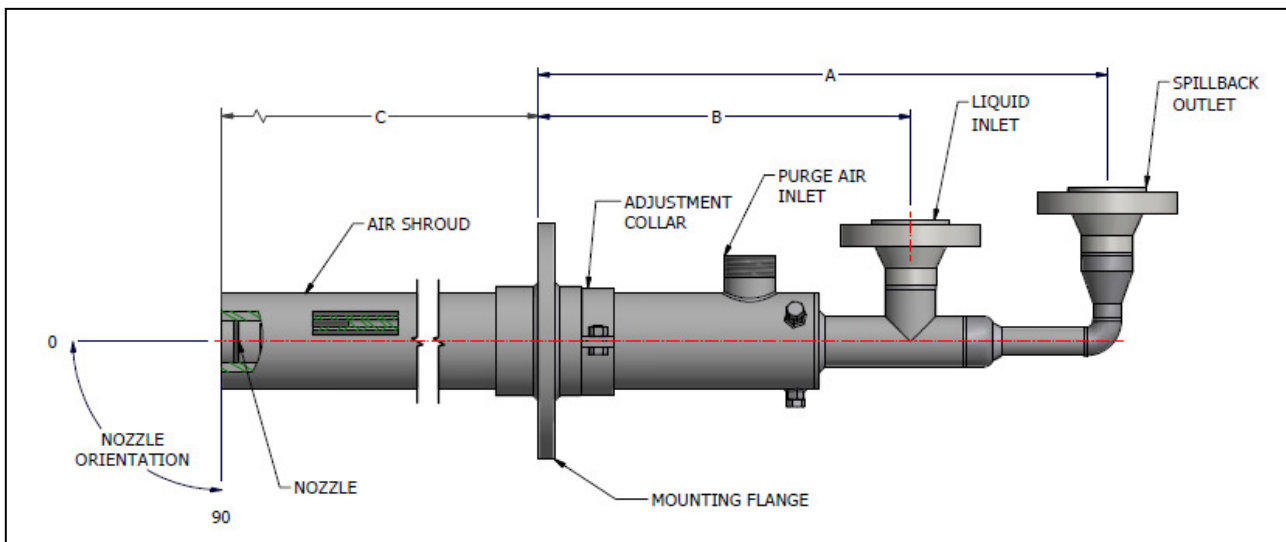


Figure 2: Spillback Lance with Optional Features

Lance Assembly:

Required Length (Dimension A)*: _____	
Required Length (Dimension B)*: _____	
Required Insertion Length (Dimension C)*: _____	
Clearance Diameter of Port Opening: _____	
Mounting Flange Size and Rating*: _____	
Liquid Inlet Connection Size, Type, and Rating*: _____	
Liquid Inlet Orientation*:	
Spillback Outlet Connection Size, Type, and Rating*: _____	
Spillback Outlet Orientation*:	
Nozzle Material is Hardened 420 Stainless Steel. If Other Please Specify.	
Preferred Material of Components in Contact with Process:	
Preferred Material of Components in Contact with Injection Fluid:	
Shroud Required for Lance?*	
Air Inlet Required for Purging Air?*	
Hoses for Lances? Length. _____	
Threaded Quick Connect Couplings for Lance Inlet and Spillback?	
If Yes, Are Check Valves Needed?	

*See Figure 1 and 2, Page 2

Comments/Other Notes: