



## (UM) Misting Nozzles



Plastic Nozzle



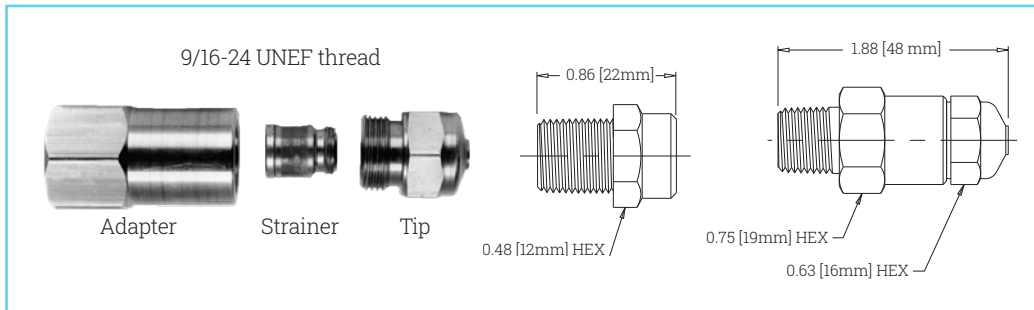
Metal

### DESIGN FEATURES

- Very fine, fog-like mist
- Produces a high number of droplets under 60 microns
- Includes integrated check valve to prevent dripping
- Metal nozzle includes integral 100 mesh strainer

### SPRAY CHARACTERISTICS

- Medium angle, hollow cone pattern
- Flow rates:** 0.37 to 16.4 GPH (Metal),  
0.63 to 8.5 GPH (Plastic)



## ULTIMIST® METAL FLOW RATES & DIMENSIONS

Materials: 416 Stainless Steel Tip, Brass Adapter/Body

| Male or Female Connection Type | Nozzle Number | K Factor | Flow Rate (GPH) @ Differential Pressure (psi) |      |      |      |      |
|--------------------------------|---------------|----------|---|------|------|------|------|
|                                |               |          | 40  | 100  | 500  | 1000 | 1200 |
|                                |               |          | psi   | psi  | psi  | psi  | psi  |
| 1/8"<br>or<br>1/4"<br>NPT, BSP | UM37M         | 0.06     | 0.37  | 0.59 | 1.30 | 1.90 | 2.00 |
|                                | UM50M         | 0.08     | 0.50  | 0.79 | 1.80 | 2.50 | 2.70 |
|                                | UM75M         | 0.12     | 0.75  | 1.20 | 2.70 | 3.80 | 4.10 |
|                                | UM100M        | 0.13     | 1.00  | 1.60 | 3.50 | 5.00 | 5.50 |
|                                | UM150M        | 0.24     | 1.50  | 2.40 | 5.30 | 7.50 | 8.20 |
|                                | UM200M        | 0.32     | 2.00  | 3.20 | 7.10 | 10.0 | 11.0 |
|                                | UM250M        | 0.40     | 2.50  | 4.00 | 8.80 | 12.5 | 13.7 |
| UM300M                         | 0.47          | 3.00     | 4.70  | 10.6 | 15.0 | 16.4 |      |

## ULTIMIST® PLASTIC FLOW RATES & DIMENSIONS

Materials: Polyacetal

| Male Connection Type | Nozzle Number | K Factor | Flow Rate (GPH) @ Differential Pressure (psi) |      |      |      |      |
|----------------------|---------------|----------|---|------|------|------|------|
|                      |               |          | 40  | 60   | 100  | 200  | 1000 |
|                      |               |          | psi   | psi  | psi  | psi  | psi  |
| 1/8"<br>NPT, BSP     | UML63M        | 0.10     | 0.63  | 0.77 | 1.00 | 1.40 | 3.20 |
|                      | UML126M       | 0.20     | 1.30  | 1.50 | 2.00 | 2.80 | 6.30 |
|                      | UML170M       | 0.27     | 1.70  | 2.10 | 2.70 | 3.80 | 8.50 |

Flow Rate (GPM) =  $K\sqrt{PSI}$

Spray angle performance varies with pressure. Contact BETE for specific data on critical applications.