



Stationary



TW 20

TW 1

DESIGN FEATURES

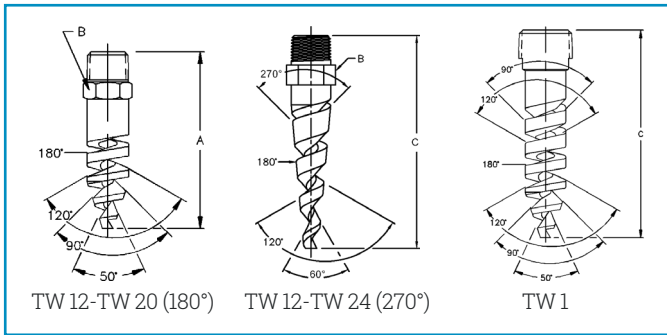
- Clog-resistant spiral design
- Energy efficient
- Compact design; fits small openings

SPRAY CHARACTERISTICS

- Easy to maintain
- Unique patterns that spray in opposing directions

Spray Angles: 180°, 270°

Flow Rates: 3.0 to 163 GPM



DIMENSIONS IN INCHES

Pipe Size	A 180°	B	C 270°	Wt. (oz)
3/8"	2.88	0.75	3.63	1.7
1/2"		0.88	4.25	6.4
1"		1.13	5.75	10.5

TW FLOW RATES

Materials: Brass, 316 Stainless Steel

Male Connection Type	Nozzle Number	Spray Angles	K Factor	Flow Rate (GPM) @ Differential Pressure (psi)										Approx. Orifice Dia	Approx. Free Pass Dia	Scrubbing Dia	Rinsing Dia
				10	20	30	40	50	60	80	100	200	400				
				psi	psi	psi	psi	psi	psi	psi	psi	psi	psi				
3/8" NPT/BSP	TW-12	180° 270°	0.95	3.00	4.24	5.20	6.00	6.71	7.35	8.49	9.49	13.4	19.0	0.19	0.13	1	3
	TW-14	180° 270°	1.28	4.05	5.73	7.01	8.10	9.06	9.92	11.5	12.8	18.1	25.6	0.22	0.13	1	4
	TW-16	180° 270°	1.68	5.30	7.50	9.18	10.6	11.9	13.0	15.0	16.8	23.7	33.5	0.25	0.13	2	5
	TW-20	180° 270°	2.61	8.20	11.7	14.3	16.5	18.4	20.2	23.3	26.1	36.9	52.2	0.31	0.13	3	7
1/2" NPT/BSP	TW-24	270°	3.81	12.1	17.0	20.9	24.1	26.9	29.5	34.1	38.1	53.9	76.2	0.41	0.17	4	9
1" NPT/BSP	TW-1	270°	8.06	26.0	36.0	45.0	51.0	57.0	63.0	72.0	80.6	115	163	0.56	0.20	8	20

Flow Rate (GPM) = $K\sqrt{PSI}$

Spray angle performance varies with pressure. Contact BETE for specific data on critical applications.