

EZ_{TF} WT

EZ Change Quick Connection System

DESIGN FEATURES

- Nozzles can be changed in seconds without tools
- Three part nozzle, base, gasket and interchangeable tip
- Exclusive ramped engagement for efficient automatic alignment
- Threaded adapters will accommodate other standard BETE nozzles. Shut-off plugs are also available

SPRAY CHARACTERISTICS

- Available in six standard tips: EZTF; EZWL; EZWT; EZFF; EZNF; EZSPN

More EZ tips:

- Full Cone: page 38
- Flat Fan: pages 72 and 73

Flow rates: 0.13 to 206 l/min

Spray Angles:

- EZTF:** 60°, 90°, 120°, and 180°
- EZWT:** 70° and 110°



EZTF



120° Hollow Cone

Dimensions are approximate. Check with BETE for critical dimension applications.

EZTF Flow Rates and Dimensions

Hollow Cone Spiral 60° (V), 90° (M), 120° (W), 150°, 170° or 180° (XW) Spray Angle 1/8" to 1/2" BSP or NPT

Pipe Size	Nozzle Number	K Factor	LITERS PER MINUTE @ BAR													Approx. Orifice Dia. (mm)	Approx. Assembly Dim. (mm)		Wt. (g)
			0.3 bar	0.5 bar	0.7 bar	1 bar	2 bar	3 bar	5 bar	7 bar	10 bar	15 bar	20 bar	30 bar	Hex Length				
1/8"	EZTF6	3.19	1.75	2.26	2.67	3.19	4.51	5.53	7.13	8.44	10.1	12.4	14.3	17.5	2.38	1/8"	22.4	41.4	62
	TO EZTF8	5.93	3.25	4.19	4.96	5.93	8.38	10.3	13.2	15.7	18.7	22.9	26.5	32.5	3.18				
1/2"	EZTF10	9.12	4.99	6.45	7.63	9.12	12.9	15.8	20.4	24.1	28.8	35.3	40.8	49.9	3.97	1/4"	22.4	44.5	62
	TO EZTF12	13.7	7.49	9.7	11.4	13.7	19.3	23.7	30.6	36.2	43.2	53.0	61.1	74.9	4.76				
1/4"	EZTF14	18.5	10.1	13.1	15.4	18.5	26.1	32.0	41.3	48.8	58.4	71.5	82.6	101	5.56	3/8"	22.4	46.0	74
	TO EZTF16	24.2	13.2	17.1	20.2	24.2	34.2	41.8	54.0	63.9	76.4	93.6	108	132	6.35				
1/2"	EZTF20	37.6	20.6	26.6	31.5	37.6	53.2	65.1	84.1	99.5	119	146	168	206	7.94	1/2"	22.4	47.5	82

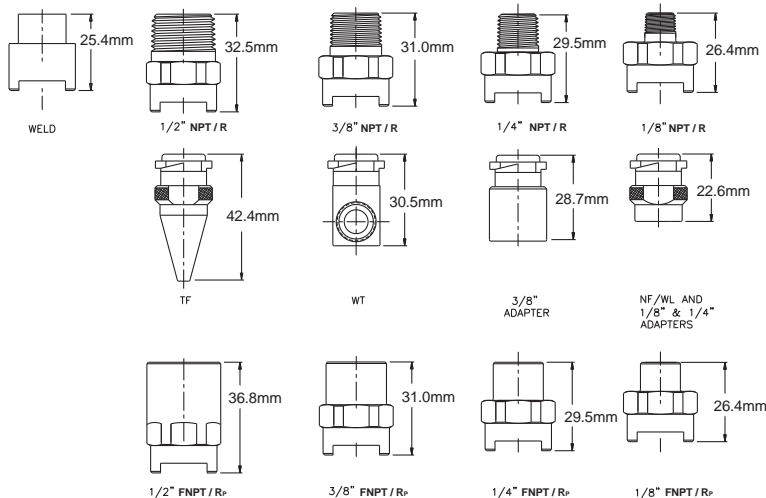
Flow Rate (l/min) = $K \sqrt{\text{bar}}$

TF20 not available with 1/8" base

Standard Materials: Brass, Viton and Buna-N gaskets standard. 316 Stainless Steel available upon request.

Spray angle performance varies with pressure. Contact BETE for specific data on critical applications.

TO ORDER: specify pipe size, connection type, nozzle number, spray angle, and material.



Dimensions are approximate. Check with BETE for critical dimension applications.

EZWT Flow Rates and Dimensions

Hollow Cone, Narrow (70°) and Wide (110°) Spray Angles 1/8" to 1/2" BSP or NPT

Pipe Size	Nozzle Number	K Factor	LITERS PER MINUTE @ BAR											Orifice Dia. (mm)	Approx. Assembly Dim. (mm)		Wt. (g)		
			0.3 bar	0.5 bar	0.7 bar	1 bar	2 bar	3 bar	5 bar	7 bar	10 bar	15 bar	20 bar		30 bar	Hex Length		Hex Length	
1/8"	EZWT10	0.228	0.13	0.16	0.19	0.23	0.32	0.40	0.51	0.60	0.72	0.88	1.02	1.25	0.794	1/8"	22.4	41.4	62
	EZWT12	0.273	0.15	0.19	0.23	0.27	0.39	0.47	0.61	0.72	0.87	1.06	1.22	1.50	0.794				
	EZWT18	0.410	0.23	0.29	0.34	0.42	0.58	0.71	0.92	1.09	1.30	1.59	1.83	2.25	1.19				
	EZWT20	0.456	0.25	0.32	0.38	0.46	0.65	0.79	1.02	1.21	1.44	1.77	2.04	2.50	1.59				
	EZWT27	0.615	0.34	0.44	0.52	0.62	0.87	1.07	1.38	1.63	1.95	2.38	2.75	3.37	1.19				
	EZWT35	0.798	0.44	0.56	0.67	0.80	1.13	1.38	1.78	2.11	2.52	3.09	3.57	4.37	1.59				
	EZWT40	0.912	0.50	0.65	0.76	0.91	1.29	1.58	2.04	2.41	2.88	3.53	4.08	4.99	1.98				
	EZWT42	0.957	0.52	0.68	0.80	0.96	1.35	1.66	2.14	2.53	3.03	3.71	4.28	5.24	1.59				
	EZWT48	1.09	0.60	0.77	0.92	1.09	1.55	1.89	2.45	2.89	3.46	4.24	4.89	5.99	1.59				
	EZWT50	1.14	0.62	0.81	0.95	1.14	1.61	1.97	2.55	3.01	3.60	4.41	5.10	6.24	1.98				
TO	EZWT53	1.21	0.66	0.85	1.01	1.21	1.71	2.09	2.70	3.20	3.82	4.68	5.40	6.62	1.98	1/4"	22.4	44.5	62
	EZWT60	1.37	0.75	0.97	1.14	1.37	1.93	2.37	3.06	3.62	4.32	5.30	6.11	7.49	2.38				
	EZWT68	1.55	0.85	1.10	1.30	1.55	2.19	2.68	3.47	4.10	4.90	6.00	6.93	8.49	1.98				
	EZWT70	1.60	0.87	1.13	1.33	1.60	2.26	2.76	3.57	4.22	5.04	6.18	7.13	8.74	2.38				
	EZWT80	1.82	1.00	1.29	1.53	1.82	2.58	3.16	4.08	4.82	5.77	7.06	8.15	9.99	1.98				
	EZWT100	2.28	1.25	1.61	1.91	2.28	3.22	3.95	5.10	6.03	7.21	8.83	10.2	12.5	3.18				
	EZWT130	2.96	1.62	2.09	2.48	2.96	4.19	5.13	6.62	7.84	9.37	11.5	13.2	16.2	3.18				
	EZWT150	3.42	1.87	2.42	2.86	3.42	4.83	5.92	7.64	9.04	10.8	13.2	15.3	18.7	3.57				
	EZWT160	3.65	2.00	2.58	3.05	3.65	5.16	6.32	8.15	9.65	11.5	14.1	16.3	20.0	3.97				
	EZWT180	4.10	2.25	2.90	3.43	4.10	5.80	7.10	9.17	10.9	13.0	15.9	18.3	22.5	3.97				
1/2"	EZWT200	4.56	2.50	3.22	3.81	4.56	6.45	7.89	10.2	12.1	14.4	17.7	20.4	25.0	4.37	1/2"	22.4	47.5	82
	EZWT220	5.01	2.75	3.55	4.19	5.01	7.09	8.68	11.2	13.3	15.9	19.4	22.4	27.5	3.97				
	EZWT240	5.47	3.00	3.87	4.58	5.47	7.73	9.47	12.2	14.5	17.3	21.2	24.5	30.0	4.76				
	EZWT260	5.93	3.25	4.19	4.96	5.93	8.38	10.3	13.2	15.7	18.7	22.9	26.5	32.5	5.16				
	EZWT270	6.15	3.37	4.35	5.15	6.15	8.70	10.7	13.8	16.3	19.5	23.8	27.5	33.7	5.16				
	EZWT280	6.38	3.49	4.51	5.34	6.38	9.02	11.1	14.3	16.9	20.2	24.7	28.5	34.9	5.56				
	EZWT300	6.84	3.74	4.83	5.72	6.84	9.67	11.8	15.3	18.1	21.6	26.5	30.6	37.4	5.56				
	EZWT340	7.75	4.24	5.48	6.48	7.75	11.0	13.4	17.3	20.5	24.5	30.0	34.7	42.4	5.56				
	EZWT350	7.98	4.37	5.64	6.67	7.98	11.3	13.8	17.8	21.1	25.2	30.9	35.7	43.7	5.95				
	EZWT400	9.12	4.99	6.45	7.63	9.12	12.9	15.8	20.4	24.1	28.8	35.3	40.8	49.9	7.14				

$$\text{Flow Rate (l/min)} = K \sqrt{\text{bar}}$$

Standard Materials: 303 Stainless Steel, 316 Stainless Steel, Brass, Viton gaskets standard.



HOLLOW CONE

CALL 413-772-0846
Call for the name of your nearest BETE representative.