

EZ_{TF WL}

EZ Change Quick Connection System

DESIGN FEATURES

- Nozzles can be changed in seconds without tools
- Three part nozzle, base, gasket and interchangeable tip
- Exclusive ramped engagement for efficient, automatic alignment
- Threaded adapters will accommodate other standard BETE nozzles. Shut-off plugs are also available
- Sanitary EZs are available with weld connection and no knurling

SPRAY CHARACTERISTICS

- Available in six standard tips: EZTF; EZWL; EZWT; EZFF; EZNF; EZSPN

More EZ tips:

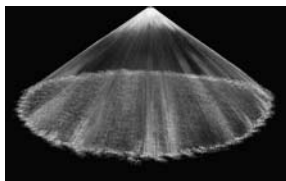
Hollow Cone: page 46
Flat Fan: pages 62 and 63

Flow rates: 0.04 to 58.4 gpm

Spray Angle:

EZTF: 60°, 90°, 120°, 150°, and 170°

EZWL: 30°, 60°, 90°, 120°



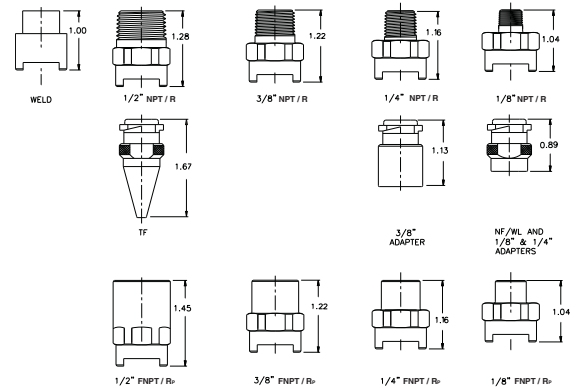
120° Full Cone



90° Full Cone Spiral



EZTF



EZTF Flow Rates and Dimensions

Full Cone Spiral 60° (NN), 90° (FCN), 120° (FC), 150°, 170° Spray Angle 1/8" to 1/2" Pipe Sizes

| Pipe Size | Nozzle Number | K Factor | GALLONS PER MINUTE @ PSI | | | | | | | | | | | Approx. Orifice Dia. (in.) | Approx. Assembly Dim. (in.) | | Wt. (oz.) | |
|--------------------|---------------|----------|--------------------------|--------|--------|--------|-------------|--------|--------|---------|---------|---------|---------|----------------------------|-----------------------------|--------|-----------|-----|
| | | | 5 PSI | 10 PSI | 20 PSI | 30 PSI | 40 PSI | 60 PSI | 80 PSI | 100 PSI | 200 PSI | 400 PSI | 500 PSI | | Hex | Length | | |
| 1/8" TO 1/2" | EZTF6 | 0.221 | 0.49 | 0.70 | 0.99 | 1.21 | 1.40 | 1.71 | 1.98 | 2.21 | 3.13 | 4.43 | 4.94 | 0.09 | 1/8" | 0.88 | 2.41 | 2.2 |
| | EZTF8 | 0.411 | 0.92 | 1.30 | 1.84 | 2.25 | 2.60 | 3.18 | 3.68 | 4.11 | 5.81 | 8.22 | 9.19 | 0.13 | | | | |
| | EZTF10 | 0.632 | 1.41 | 2.00 | 2.83 | 3.46 | 4.00 | 4.90 | 5.66 | 6.32 | 8.94 | 12.6 | 14.1 | 0.16 | 1/4" | 0.88 | 2.53 | 2.2 |
| | EZTF12 | 0.949 | 2.12 | 3.00 | 4.24 | 5.20 | 6.00 | 7.35 | 8.49 | 9.49 | 13.4 | 19.0 | 21.2 | 0.19 | | | | |
| 1/4" TO 1/2" | EZTF14 | 1.28 | 2.86 | 4.05 | 5.73 | 7.01 | 8.10 | 9.92 | 11.5 | 12.8 | 18.1 | 25.6 | 28.6 | 0.22 | 3/8" | 0.88 | 2.59 | 2.6 |
| | EZTF16 | 1.68 | 3.76 | 5.30 | 7.50 | 9.18 | 10.6 | 13.0 | 15.0 | 16.8 | 23.7 | 33.5 | 37.6 | 0.25 | | | | |
| | EZTF20 | 2.61 | 5.83 | 8.25 | 11.7 | 14.3 | 16.5 | 20.2 | 23.3 | 26.1 | 36.9 | 52.2 | 58.4 | 0.31 | 1/2" | 0.88 | 2.65 | 2.6 |

Flow Rate (GPM) = K √PSI

TF14-TF20 not available with 1/8" base

Standard Materials: Brass, Viton gaskets standard. 316 Stainless Steel available upon request.

EZWL Flow Rates and Dimensions

Full Cone Whirl 30°, 60°, 90°, 120° Spray Angle; 1/8" to 1/2" Pipe Sizes

| Pipe Size | Nozzle Number | K Factor | GALLONS PER MINUTE @ PSI | | | | | | | | | | | Approx. Orifice Dia. (in.) | Approx. Assembly Dim. (in.) | | Wt. (oz.) | |
|--------------------|---------------|----------|--------------------------|--------|--------|--------|-------------|--------|--------|---------|---------|---------|---------|----------------------------|-----------------------------|--------|-----------|-----|
| | | | 5 PSI | 10 PSI | 20 PSI | 30 PSI | 40 PSI | 60 PSI | 80 PSI | 100 PSI | 200 PSI | 400 PSI | 500 PSI | | Hex | Length | | |
| 1/8" TO 1/2" | EZWL 1/4 | 0.044 | 0.09 | 0.13 | 0.18 | 0.22 | 0.25 | 0.30 | 0.35 | 0.38 | 0.53 | 0.74 | 0.82 | 0.043 | | | | |
| | EZWL 1/2 | 0.088 | 0.19 | 0.26 | 0.36 | 0.44 | 0.50 | 0.60 | 0.69 | 0.77 | 1.07 | 1.48 | 1.64 | 0.055 | 1/8" | 0.88 | 1.63 | 2.2 |
| | EZWL 3/4 | 0.132 | 0.28 | 0.39 | 0.54 | 0.66 | 0.75 | 0.91 | 1.04 | 1.15 | 1.60 | 2.21 | 2.46 | 0.072 | | | | |
| | EZWL1 | 0.177 | 0.38 | 0.52 | 0.72 | 0.87 | 1.00 | 1.21 | 1.39 | 1.54 | 2.13 | 2.95 | 3.28 | 0.082 | 1/4" | 0.88 | 1.75 | 2.2 |
| 1/2" | EZWL 1 1/2 | 0.265 | 0.56 | 0.78 | 1.08 | 1.31 | 1.50 | 1.81 | 2.08 | 2.31 | 3.20 | 4.43 | 4.92 | 0.109 | 3/8" | 0.88 | 1.81 | 2.6 |
| | EZWL2 | 0.353 | 0.75 | 1.04 | 1.44 | 1.75 | 2.00 | 2.42 | 2.77 | 3.08 | 4.26 | 5.90 | 6.56 | 0.125 | | | | |
| | EZWL3 | 0.530 | 1.13 | 1.56 | 2.17 | 2.62 | 3.00 | 3.63 | 4.16 | 4.61 | 6.39 | 8.85 | 9.83 | 0.156 | | | | |
| | EZWL4 | 0.706 | 1.51 | 2.08 | 2.89 | 3.49 | 4.00 | 4.84 | 5.54 | 6.15 | 8.52 | 11.8 | 13.1 | 0.188 | 1/2" | 0.88 | 1.87 | 2.9 |
| | EZWL5 | 0.883 | 1.88 | 2.26 | 3.61 | 4.37 | 5.00 | 6.05 | 6.93 | 7.69 | 9.31 | 10.6 | 14.8 | 0.203 | | | | |
| | EZWL6 | 1.06 | 2.26 | 3.13 | 4.33 | 5.24 | 6.00 | 7.26 | 8.31 | 9.23 | 11.2 | 12.8 | 17.7 | 0.219 | | | | |

Flow Rate (GPM) = K (PSI)^{0.47}

Note: Square pattern also available

Standard Materials: 303 Stainless Steel, 316 Stainless Steel, Brass, Viton gaskets standard.

Dimensions are approximate. Check with BETE for critical dimension applications.

Spray angle performance varies with pressure. Contact BETE for specific data on critical applications.

TO ORDER: specify pipe size, connection type, nozzle number, spray angle, and material.